

**SOUTH DAKOTA STATE HISTORIC PRESERVATION OFFICE
HISTORIC SITES SURVEY STRUCTURE FORM**



SITE INFORMATION

*SURVEY DATE: April 30, 2013 *ADDRESS: 29917 University Road
*SURVEYOR: Jim Stone *COUNTY: Clay
*CITY: Beresford

LOCATION DESCRIPTION: From Vermillion, from the intersection of South Dakota Highway 50 bi-pass and University Road, North 18-7/8 miles on the left (West) side

LEGAL DESCRIPTION: Tract 3 Brue Addn, N 1/2, NE 1/4, 18 - 95 - 51 Glenwood Twp.

*QUARTER 1: NE 1/4 OWNER NAME: Lynn & Cherlyn Steinhaus
*QUARTER 2: _____ OWNER ADDRESS: 29917 University Road
*TOWNSHIP: Glenwood OWNER CITY: Beresford
*RANGE: 51 OWNER STATE: South Dakota
*SECTION: 18 OWNER ZIP: 57004
ACRES: _____ QUAD NAME: _____

OWNER CODE 1: P
OWNER CODE 2:
OWNER CODE 3:

HISTORIC SIGNIFICANCE

*DOE: _____ REGISTER NAME: _____
*DOE DATE: _____ MULTIPLE PROPERTY NAME: _____
REASON INELIGIBLE: _____

NOMINATION STATUS: _____ CATEGORY: _____
DATE LISTED: _____ SIGNIFICANCE LEVEL 1: N S L
REFERENCE NUMBER: _____ SIGNIFICANCE LEVEL 2: N S L
HISTORIC DISTRICT RATING: C or NC CRITERIA 1: A B C D
PERIOD: _____ CRITERIA 2: A B C D
CRITERIA 3: A B C D
CRITERIA 4: A B C D

SIGNIFICANCE NOTES: _____

STRUCTURE DETAILS

* = REQUIRED FIELD

**SOUTH DAKOTA STATE HISTORIC PRESERVATION OFFICE
HISTORIC SITES SURVEY STRUCTURE FORM**



SHPO ID: _____

*PROPERTY NAME: _____

OTHER NAME: _____

CURRENT FUNCTION: Horse barn FOUNDATION: Poured concrete
Steel roofing over

CURRENT SUBFUNCTION: Storage ROOF MATERIAL: cedar shingles

HISTORIC FUNCTION: Livestock barn ROOF SHAPE: Gable

HISTORIC SUBFUNCTION: Hay storage STRUCTURAL SYSTEM: Balloon framing

OCCUPIED: Yes STYLE: Gable roof barn

ACCESSIBLE: Yes with permission TYPE: Livestock barn
2x4 & 2x6 studs, 1x6 #106 drop siding and some 1/2"x6" cedar lap siding

WALLS: _____

STORIES: 2 SIGNIFICANT PERSON: Olaf Paulson
About

*DATE OF CONSTRUCTION: 1920's CULTURAL AFFILIATION: ?

ALTERED/MOVED NOTES: Original site. Any evidence of horse stalls or milk cow stanchions has been removed. Roof covered with galvanized steel roofing. Center 18' of hayloft floor removed and 2x6 joists installed 10' high in that center 18'. 12' x 26' lean-to added on the North side later. The East and West gable ends of the original barn have been covered with 1/2"x6" cedar lap siding over the 1x6 #106 drop siding. Metal cupola is gone. 12' x 10' sliding door installed in the South wall.

INTERIOR NOTES: Main 24' x 26' barn has been remodeled. No evidence of horse stalls, milk cow stanchions or posts and beams to support hayloft floor. Floor joists were 2x8's. Four feet of hayloft floor is still in place on the east and West ends.

OTHER NOTES: 2x6 stud walls with 1x6 #106 drop siding on the center barn. 2x4 studs on lean-to with 1x6 #1x6 drop siding. The East and West gable end walls of the main barn have 1/2"x6" cedar lap siding over the 1x6 #106 drop siding. Rafters are 2x6 with galvanized steel over cedar shingles.

Windows are 9"x12" and 4"x 24" four light.

***PHYSICAL NOTES:** Barn is in very good condition.

*UTM ZONE: _____ *RESTRICTED: Y or N

*UTM EASTING: _____

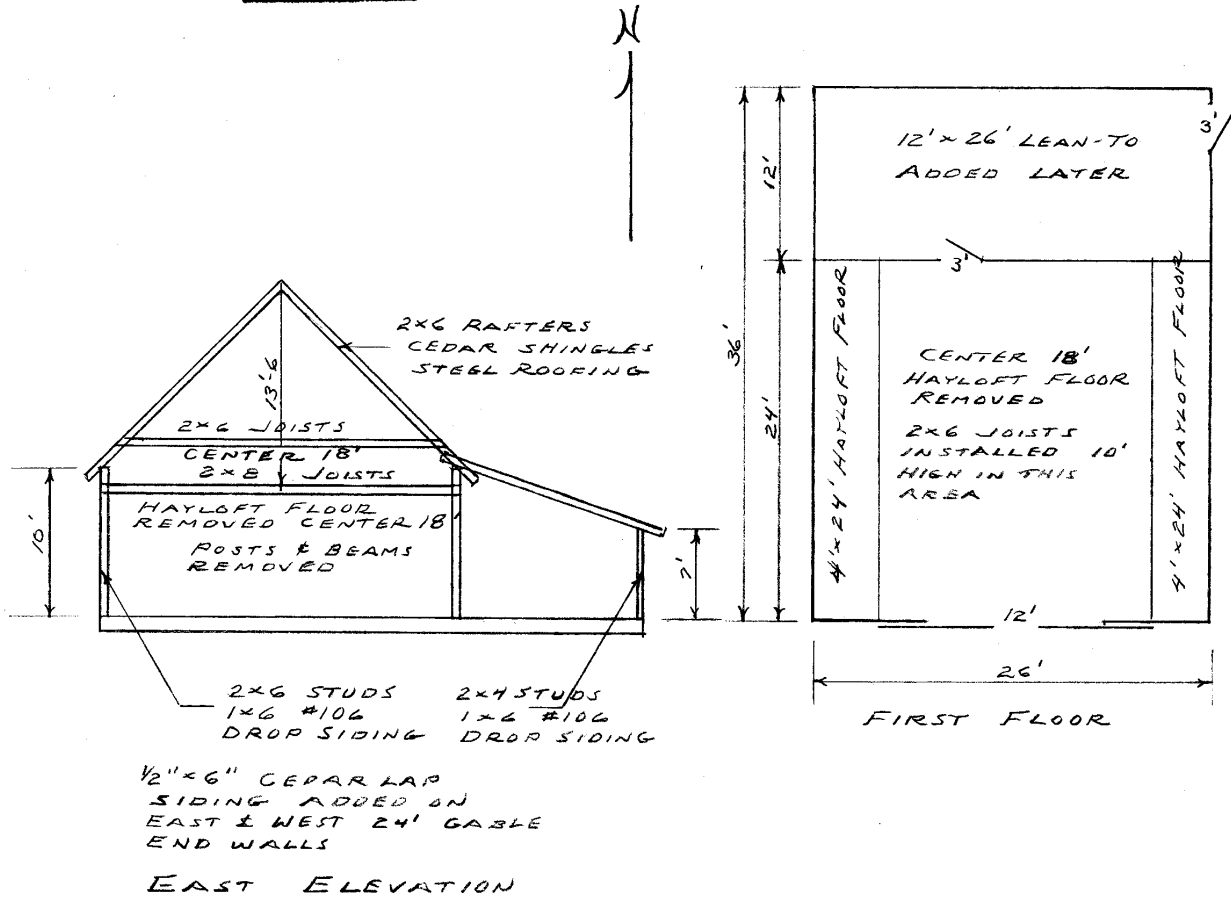
*UTM NORTHING: _____

* = REQUIRED FIELD

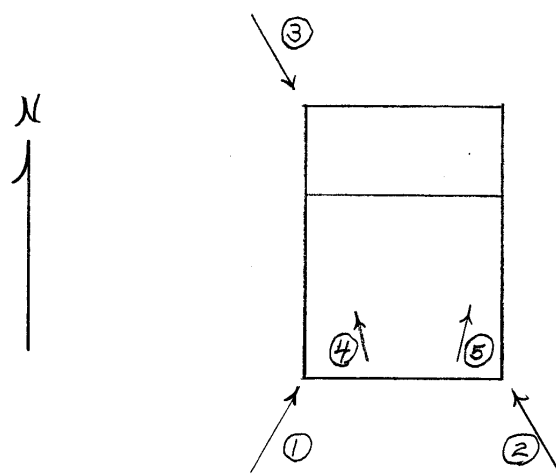
**SOUTH DAKOTA STATE HISTORIC PRESERVATION OFFICE
HISTORIC SITES SURVEY STRUCTURE FORM**



SKETCH MAP



PHOTOGR



* = REQUIRED FIELD

**SOUTH DAKOTA STATE HISTORIC PRESERVATION OFFICE
HISTORIC SITES SURVEY STRUCTURE FORM**



PHOTOGRAPHER: Jim Stone
DATE OF PHOTO: April 30, 2013

ROLL NUMBER: _____
PHOTO NUMBER: 1
CAMERA DIRECTION: Looking NE, SW corner



PHOTOGRAPHER: Jim Stone
DATE OF PHOTO: April 30, 2013

ROLL NUMBER: _____
PHOTO NUMBER: 2
CAMERA DIRECTION: Looking NW, SE corner

* = REQUIRED FIELD

**SOUTH DAKOTA STATE HISTORIC PRESERVATION OFFICE
HISTORIC SITES SURVEY STRUCTURE FORM**



PHOTOGRAPHER: Jim Stone
DATE OF PHOTO: April 30, 2013

ROLL NUMBER: _____
PHOTO NUMBER: 3
CAMERA DIRECTION: Looking SW, NE corner



PHOTOGRAPHER: Jim Stone
DATE OF PHOTO: April 30, 2013

ROLL NUMBER: _____
PHOTO NUMBER: 4
CAMERA DIRECTION: First floor, looking NW,
2x6 stud walls , 4' of
hayloft floor on West
wall

* = REQUIRED FIELD

**SOUTH DAKOTA STATE HISTORIC PRESERVATION OFFICE
HISTORIC SITES SURVEY STRUCTURE FORM**



PHOTOGRAPHER: Jim Stone
DATE OF PHOTO: April 30, 2013

ROLL NUMBER: _____
PHOTO NUMBER: 5

CAMERA DIRECTION: First floor, looking NE. 4' hayloft floor on East wall.

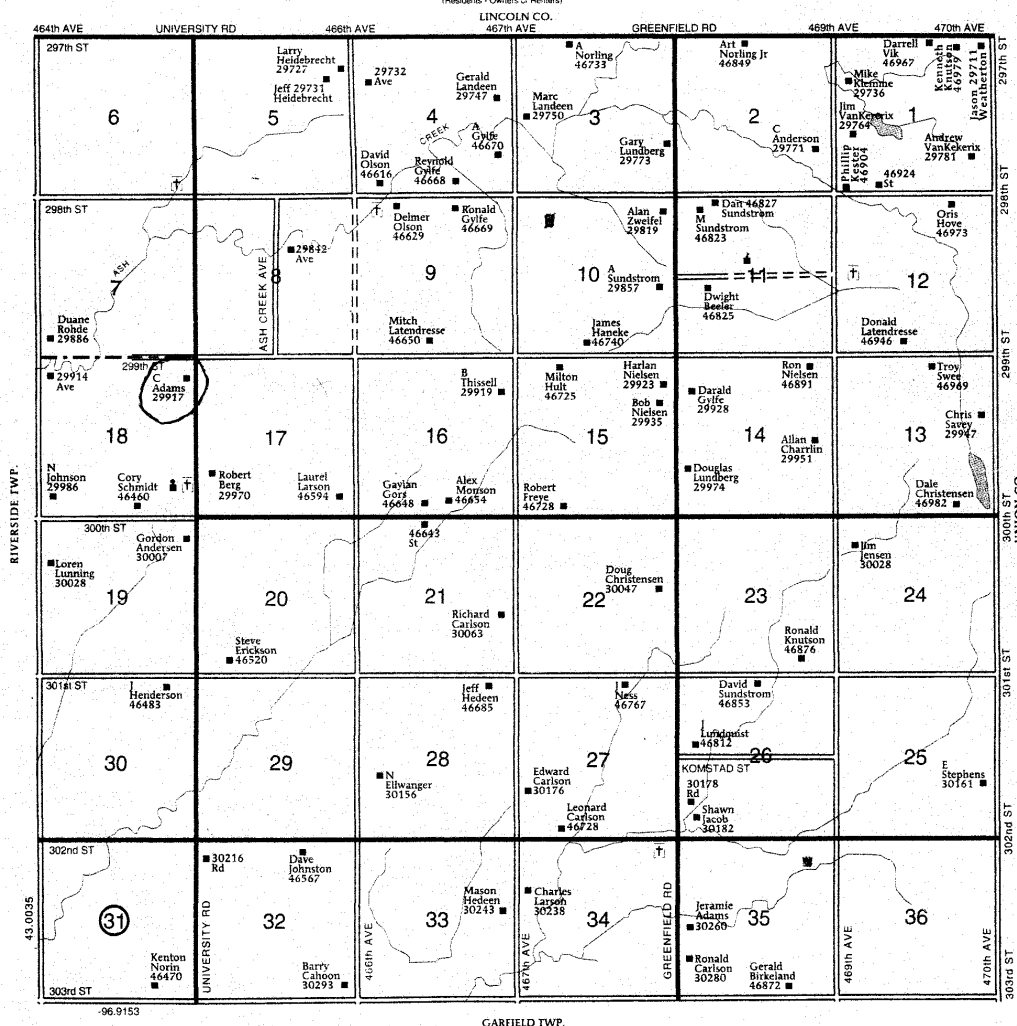
SOUTH DAKOTA STATE HISTORIC PRESERVATION OFFICE HISTORIC SITES SURVEY STRUCTURE FORM



T-95-N

GLENWOOD DIRECTORY

R-51-W



* = REQUIRED FIELD

HISTORY

This farm located in the NE ¼ of Section 18, Glenwood Township, Clay County was on a school land section.

The 1894 and 1901 Clay County Atlas lists Alfred J. Holmquist as the owner. He would have purchased this quarter, as you could not homestead school land.

The 1912 Clay County Atlas lists Adolph Linden as the owner.

The 1924, 1937, 1948 and 1956 Clay County Atlas lists Olaf Paulson as the owner.