

**SOUTH DAKOTA STATE HISTORIC PRESERVATION OFFICE
HISTORIC SITES SURVEY STRUCTURE FORM**



SITE INFORMATION

*SURVEY DATE: February 1, 2013 *ADDRESS: 30165 University Road
*SURVEYOR: Jim Stone *COUNTY: Clay
*CITY: Beresford

LOCATION DESCRIPTION: From Vermillion, South Dakota Highway 50 bi-pass, University Road North 16 miles, on the left (North) side, vacated place

LEGAL DESCRIPTION: SE ¼, Exc S 50', 30 – 95 – 51 Glenwood Twp.

*QUARTER 1: SE 1/4
*QUARTER 2: _____
*TOWNSHIP: Glenwood
*RANGE: 51
*SECTION: 30
ACRES: 155.44

OWNER NAME: Gordon & Kelly Anderson, Living Trust
OWNER ADDRESS: 30007 University Road
OWNER CITY: Beresford
OWNER STATE: South Dakota
OWNER ZIP: 57004
QUAD NAME: _____

OWNER CODE 1: P
OWNER CODE 2: _____
OWNER CODE 3: _____

HISTORIC SIGNIFICANCE

*DOE: _____
*DOE DATE: _____
REASON INELIGIBLE: _____

REGISTER NAME: _____
MULTIPLE PROPERTY NAME: _____

NOMINATION STATUS: _____
DATE LISTED: _____
REFERENCE NUMBER: _____
HISTORIC DISTRICT RATING: C or NC
PERIOD: _____

CATEGORY: _____
SIGNIFICANCE LEVEL 1: N S L
SIGNIFICANCE LEVEL 2: N S L
CRITERIA 1: A B C D
CRITERIA 2: A B C D
CRITERIA 3: A B C D
CRITERIA 4: A B C D

SIGNIFICANCE NOTES: _____

STRUCTURE DETAILS

* = REQUIRED FIELD

**SOUTH DAKOTA STATE HISTORIC PRESERVATION OFFICE
HISTORIC SITES SURVEY STRUCTURE FORM**



SHPO ID: _____
 *PROPERTY NAME: _____
 OTHER NAME: _____

CURRENT FUNCTION: <u>Vacant</u>	FOUNDATION: <u>Poured concrete foundation</u>
CURRENT SUBFUNCTION: <u>Vacant</u>	ROOF MATERIAL: <u>Steel roofing over cedar shingles</u>
HISTORIC FUNCTION: <u>Livestock barn</u>	ROOF SHAPE: <u>Gable</u>
HISTORIC SUBFUNCTION: <u>Hay and grain storage</u>	STRUCTURAL SYSTEM: <u>Balloon framing</u>
OCCUPIED: <u>Yes</u>	STYLE: <u>Gable roof barn</u>
ACCESSIBLE: <u>Yes with permission</u>	TYPE: <u>Livestock barn</u>
	<u>2x6 studs, 1x6 #106 drop siding & steel roofing</u>
WALLS: _____	
STORIES: <u>2</u>	SIGNIFICANT PERSON: <u>H. J. Carlson</u>
*DATE OF CONSTRUCTION: <u>1890 to 1910</u>	CULTURAL AFFILIATION: <u>Swedish</u>

ALTERED/MOVED NOTES: Original site. Any evidence of milk cow stanchions or horse stalls has been removed. Remodeled into a poultry egg laying barn. 10' x 34' lean-to added to the North side later. Walls and roof have been covered with 26" wide galvanized 1-1/4" corrugated steel roofing.

INTERIOR NOTES: Has two rows of 4x6 posts, with (2) 2x4's for a beam. Floor joists are 2x6's. 5' x 8' granary is still in place in the NE corner of the main barn.

OTHER NOTES: 2x4 stud walls with 1x6 #106 drop siding. Rafters are 2x6's with 2x4 posts 4' O. C. supporting center of rafters. Windows are 8"x10" four light in the main part of the barn. Windows are 9"x12" four light in the North addition.

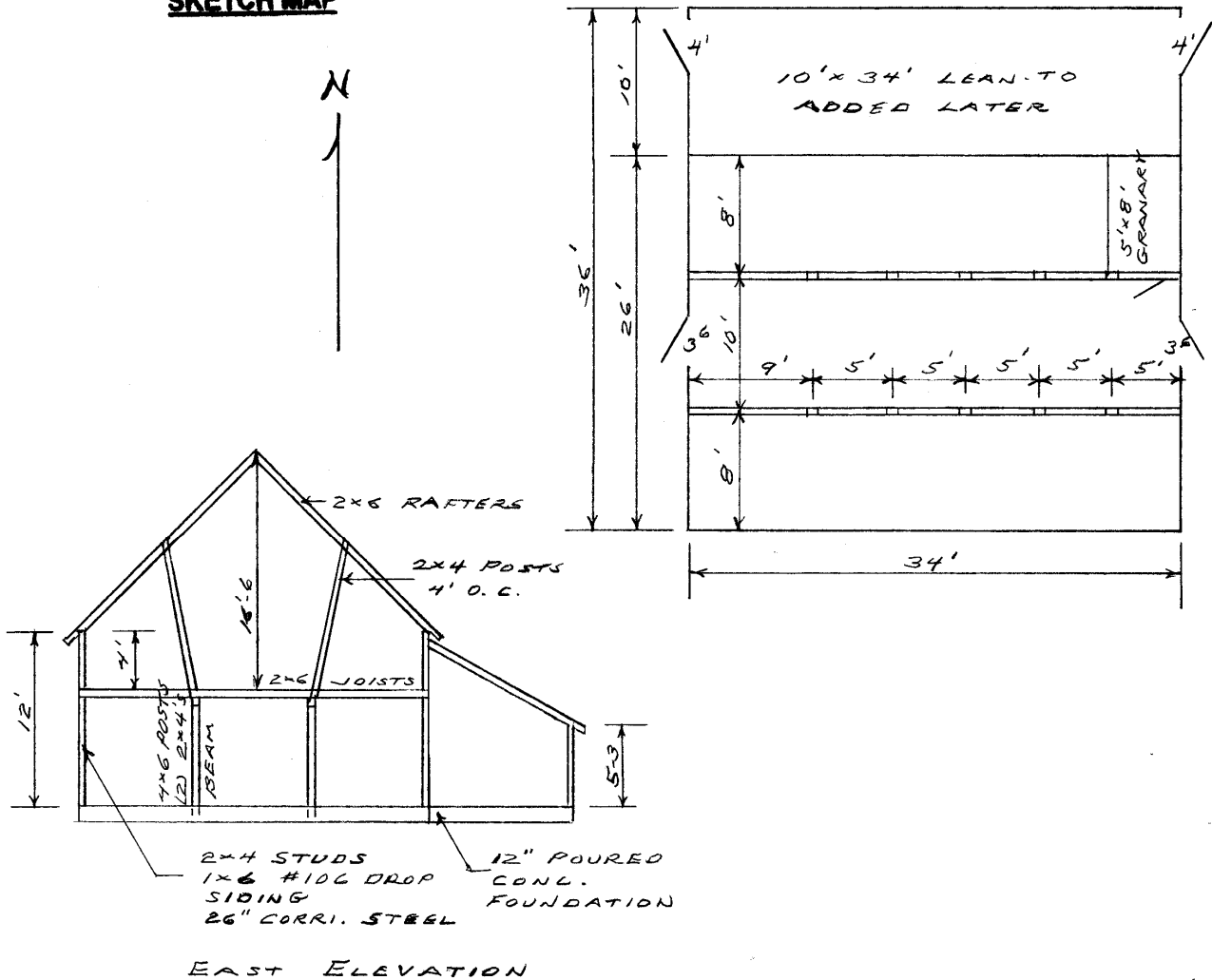
*PHYSICAL NOTES: Barn is in good condition. Doors need some repairs.

*UTM ZONE: _____ *RESTRICTED: Y or N
 *UTM EASTING: _____
 *UTM NORTHING: _____

* = REQUIRED FIELD

**SOUTH DAKOTA STATE HISTORIC PRESERVATION OFFICE
HISTORIC SITES SURVEY STRUCTURE FORM**

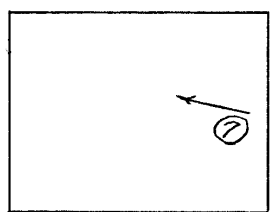
SKETCH MAP



2x4 STUDS
1x6 #106 DROP SIDING
26" CORR. STEEL
12" POURED CONG. FOUNDATION

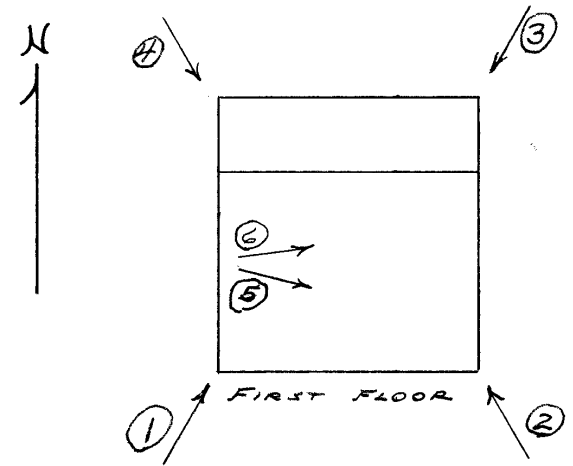
EAST ELEVATION

PHOTOGR



HAYLOFT

* = REQUIRED FIELD



* = REQUIRED FIELD

**SOUTH DAKOTA STATE HISTORIC PRESERVATION OFFICE
HISTORIC SITES SURVEY STRUCTURE FORM**



PHOTOGRAPHER: Jim Stone
DATE OF PHOTO: February 1, 2013

ROLL NUMBER: _____
PHOTO NUMBER: 1
CAMERA DIRECTION: Looking NE, SW corner



PHOTOGRAPHER: Jim Stone
DATE OF PHOTO: February 1, 2013

ROLL NUMBER: _____
PHOTO NUMBER: 2
CAMERA DIRECTION: Looking NW, SE corner

* = REQUIRED FIELD

**SOUTH DAKOTA STATE HISTORIC PRESERVATION OFFICE
HISTORIC SITES SURVEY STRUCTURE FORM**



PHOTOGRAPHER: Jim Stone
DATE OF PHOTO: February 1, 2013

ROLL NUMBER: _____
PHOTO NUMBER: 3
CAMERA DIRECTION: Looking SW, NE corner



PHOTOGRAPHER: Jim Stone
DATE OF PHOTO: February 1, 2013

ROLL NUMBER: _____
PHOTO NUMBER: 4
CAMERA DIRECTION: Looking SE, NW corner

* = REQUIRED FIELD

**SOUTH DAKOTA STATE HISTORIC PRESERVATION OFFICE
HISTORIC SITES SURVEY STRUCTURE FORM**



PHOTOGRAPHER: Jim Stone
DATE OF PHOTO: February 1, 2013

ROLL NUMBER: _____
PHOTO NUMBER: 5

CAMERA DIRECTION: First floor, looking SE,
Double 2x4 beam, 4x6
posts, 5' O. C.



PHOTOGRAPHER: Jim Stone
DATE OF PHOTO: February 1, 2013

ROLL NUMBER: _____
PHOTO NUMBER: 6

CAMERA DIRECTION: First floor, looking NE,
posts and beam and
granary in the NE corner

**SOUTH DAKOTA STATE HISTORIC PRESERVATION OFFICE
HISTORIC SITES SURVEY STRUCTURE FORM**



PHOTOGRAPHER: Jim Stone
DATE OF PHOTO: February 1, 2013

ROLL NUMBER: _____
PHOTO NUMBER: 7

CAMERA DIRECTION: Hayloft, looking NW, 2x4 posts 4' O. C. supporting rafters.

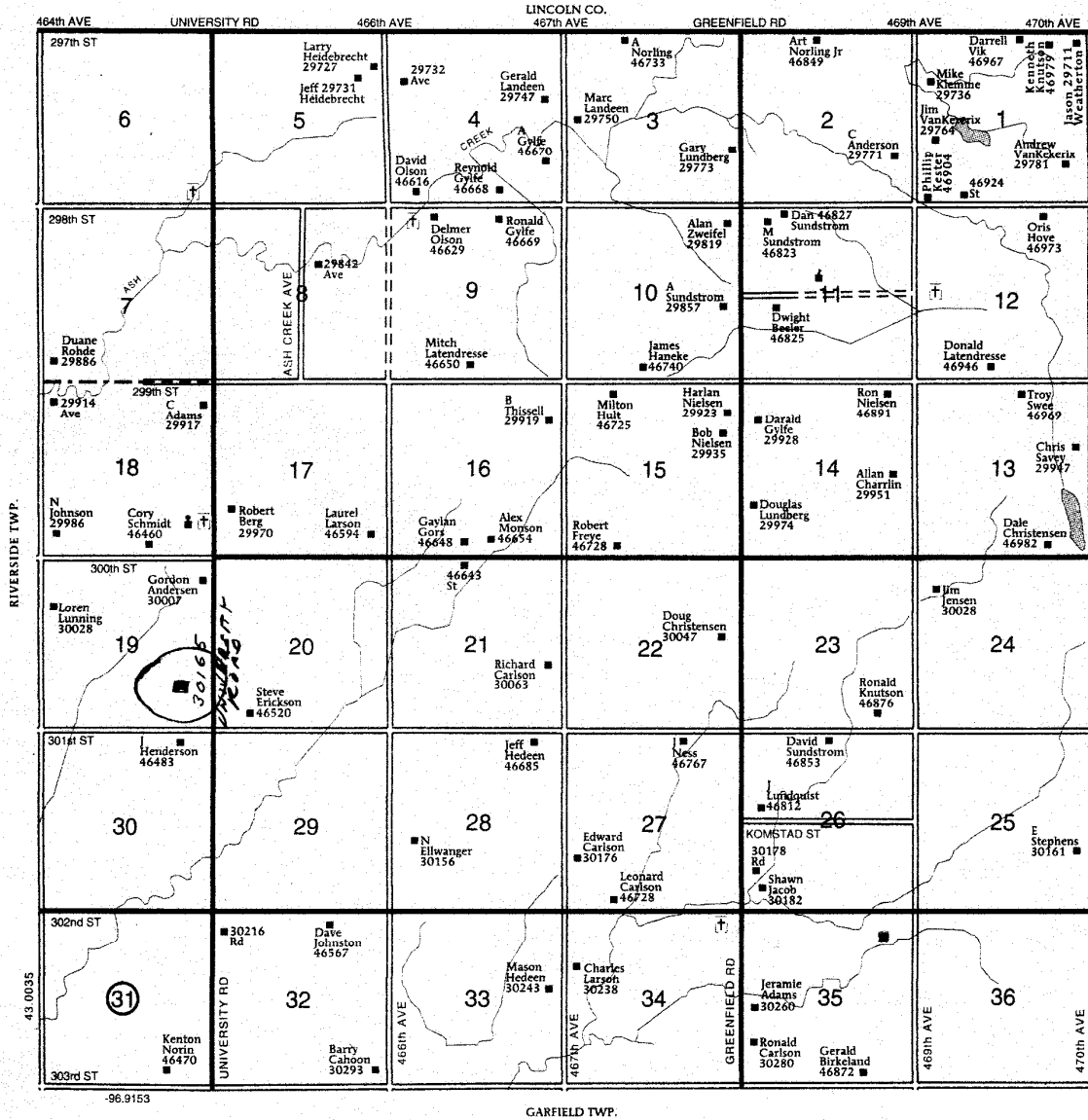
**SOUTH DAKOTA STATE HISTORIC PRESERVATION OFFICE
HISTORIC SITES SURVEY STRUCTURE FORM**



T-95-N

GLENWOOD DIRECTORY
(Residents - Owners or Renters)

R-51-W



HISTORY

This farm located in the SE $\frac{1}{4}$ of section 30, Glenwood Township, Clay County was homesteaded by Carl A. Petterson.

1894 Clay county atlas lists H. J. Carlson as the owner.

The 1901 Clay County Atlas lists H. J. Carlson as the owner. He most likely built or had this barn built.

The 1912 Clay County Atlas lists Mary Carlson as the owner.

The 1924 and 1937 Clay County Atlas lists Richard Carlson as the owner.

The 1948 and 1956 Clay County Atlas lists H. A. Jessen as the owner.

**SOUTH DAKOTA STATE HISTORIC PRESERVATION OFFICE
HISTORIC SITES SURVEY STRUCTURE FORM**

