

**SOUTH DAKOTA STATE HISTORIC PRESERVATION OFFICE  
HISTORIC SITES SURVEY STRUCTURE FORM**



**SITE INFORMATION**

\*SURVEY DATE: April 5, 2012 \*ADDRESS: 30287 Frog Creek Road  
\*SURVEYOR: Jim Stone \*COUNTY: Clay  
\*CITY: Vermillion

LOCATION DESCRIPTION: From the intersection of South Dakota Highway 50 by-pass and South Dakota Highway 19 North 9 miles, turn left (West) on 308<sup>th</sup> Street 3-1/2 miles, turn right (North) on Frog Creek Road 5-1/4 miles , on the left (West) side

LEGAL DESCRIPTION: Friedland Tract 1 in SE ¼ SE ¼, 31 – 95 – 52 Riverside Twp.

\*QUARTER 1: SE 1/4 OWNER NAME: Richard & Vikki Eilts  
\*QUARTER 2: \_\_\_\_\_ OWNER ADDRESS: 30287 Frog Creek Road  
\*TOWNSHIP: Riverside OWNER CITY: Wakonda  
\*RANGE: 52 OWNER STATE: South Dakota  
\*SECTION: 31 OWNER ZIP: 57073  
ACRES: 5.5 QUAD NAME: \_\_\_\_\_  
OWNER CODE 1: P  
OWNER CODE 2: F S L P  
OWNER CODE 3: F S L P

**HISTORIC SIGNIFICANCE**

\*DOE: \_\_\_\_\_ REGISTER NAME: \_\_\_\_\_  
\*DOE DATE: \_\_\_\_\_ MULTIPLE PROPERTY NAME: \_\_\_\_\_  
REASON INELIGIBLE: \_\_\_\_\_

NOMINATION STATUS: \_\_\_\_\_ CATEGORY: \_\_\_\_\_  
DATE LISTED: \_\_\_\_\_ SIGNIFICANCE LEVEL 1: N S L  
REFERENCE NUMBER: \_\_\_\_\_ SIGNIFICANCE LEVEL 2: N S L  
HISTORIC DISTRICT RATING: C or NC CRITERIA 1: A B C D  
PERIOD: \_\_\_\_\_ CRITERIA 2: A B C D  
CRITERIA 3: A B C D  
CRITERIA 4: A B C D

SIGNIFICANCE NOTES: Metal cupola has large metal numbers 1913, which is the date of construction. The numbers are easily seen from the barnyard.

**SOUTH DAKOTA STATE HISTORIC PRESERVATION OFFICE  
HISTORIC SITES SURVEY STRUCTURE FORM**



**STRUCTURE DETAILS**

SHPO ID: \_\_\_\_\_

\*PROPERTY NAME: Ben Folvik barn

OTHER NAME: \_\_\_\_\_

CURRENT FUNCTION: Livestock FOUNDATION: Poured Concrete  
Asphalt shingles  
over cedar  
shingles

CURRENT SUBFUNCTION: Storage ROOF MATERIAL: \_\_\_\_\_

HISTORIC FUNCTION: Livestock ROOF SHAPE: Gambrel

HISTORIC SUBFUNCTION: Hay and grain storage STRUCTURAL SYSTEM: Balloon framing

OCCUPIED: Yes STYLE: Gambrel roof barn

ACCESSIBLE: Yes with  
permission TYPE: Livestock barn  
2x6, sheathing &  
1/2"x6" cedar lap  
siding

WALLS: \_\_\_\_\_

STORIES: 2 SIGNIFICANT PERSON: Ben & Alma Folvik

\*DATE OF CONSTRUCTION: 1913 CULTURAL AFFILIATION: ?

ALTERED/MOVED NOTES: Original site. Horse stalls and milk cow stanchions have been removed.  
Roof resingled with asphalt shingles over cedar shingles.

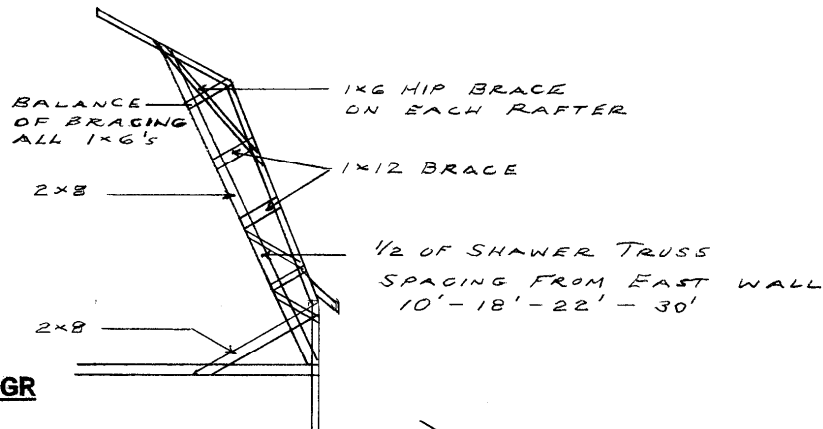
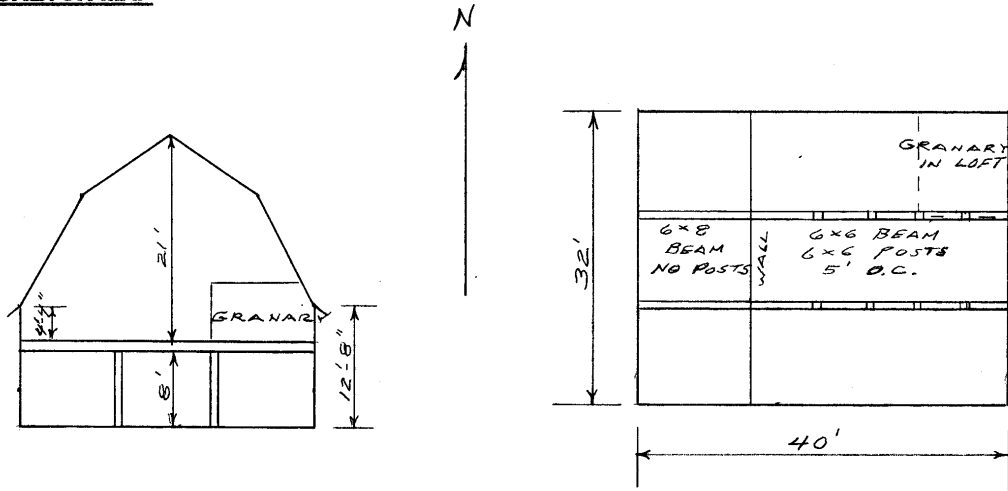
INTERIOR NOTES: Two rows 6x8 clear span beams on the West 12'. Two rows 6x6 posts and 6x6  
beams in the East 28'. Posts are 5' O.C. 2x8 floor joists for the hayloft floor. Granary in the hayloft  
the North-East corner, with a feed room below on the first floor. Manure track and bucket still in place.

OTHER NOTES: 2x6 stud walls 12' 8" high with horizontal sheathing on the North and South walls.  
2x6 stud walls with horizontal sheathing on gable ends. 1/2"x6" cedar lap siding on all walls. 2x6 rafters,  
sheathing. One half of a Shawver truss spaced in 10' - 8' - 4' - 8' - 14' from the East side. Four trusses  
on the South and four on the North sides of roof. Two 1x6's at each hip for additional bracing.

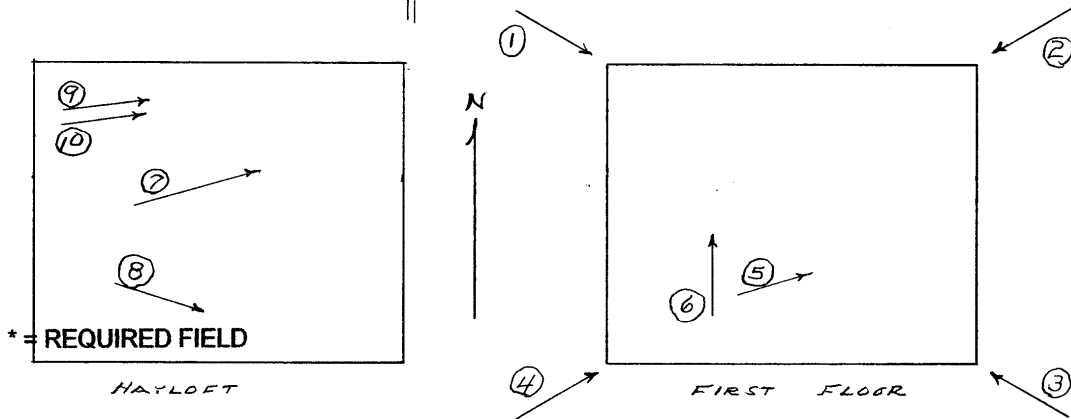
\*PHYSICAL NOTES: Barn is in very good shape. Has a metal cupola, which has the date 1913 as  
date of construction. The letters are large enough to be read from some distance. Barn has been very  
well maintained. 9"x 12" four light windows.

**SOUTH DAKOTA STATE HISTORIC PRESERVATION OFFICE  
HISTORIC SITES SURVEY STRUCTURE FORM**

**SKETCH MAP**



**PHOTOGR**



**SOUTH DAKOTA STATE HISTORIC PRESERVATION OFFICE  
HISTORIC SITES SURVEY STRUCTURE FORM**



**PHOTOGRAPHER:** Jim Stone  
**DATE OF PHOTO:** April 5, 2012

**ROLL NUMBER:** \_\_\_\_\_  
**PHOTO NUMBER:** 1  
**CAMERA DIRECTION:** Looking SE, NW corner



**PHOTOGRAPHER:** Jim Stone  
**DATE OF PHOTO:** April 5, 2012

**ROLL NUMBER:** \_\_\_\_\_  
**PHOTO NUMBER:** 2  
**CAMERA DIRECTION:** Looking SW, NE corner

**SOUTH DAKOTA STATE HISTORIC PRESERVATION OFFICE  
HISTORIC SITES SURVEY STRUCTURE FORM**



**PHOTOGRAPHER:** Jim Stone  
**DATE OF PHOTO:** April 5, 2012

**ROLL NUMBER:** \_\_\_\_\_  
**PHOTO NUMBER:** 3  
**CAMERA DIRECTION:** Looking NW, SE corner



**PHOTOGRAPHER:** Jim Stone  
**DATE OF PHOTO:** April 5, 2012

**ROLL NUMBER:** \_\_\_\_\_  
**PHOTO NUMBER:** 4  
**CAMERA DIRECTION:** Looking NE, SW corner

**SOUTH DAKOTA STATE HISTORIC PRESERVATION OFFICE  
HISTORIC SITES SURVEY STRUCTURE FORM**



**PHOTOGRAPHER:** Jim Stone  
**DATE OF PHOTO:** April 5, 2012

**ROLL NUMBER:** \_\_\_\_\_  
**PHOTO NUMBER:** 5

**CAMERA DIRECTION:** First floor, looking East posts and beams



**PHOTOGRAPHER:** Jim Stone  
**DATE OF PHOTO:** April 5, 2012

**ROLL NUMBER:** \_\_\_\_\_  
**PHOTO NUMBER:** 6

**CAMERA DIRECTION:** First floor, looking North, original manure bucket and manure track

**SOUTH DAKOTA STATE HISTORIC PRESERVATION OFFICE  
HISTORIC SITES SURVEY STRUCTURE FORM**



**PHOTOGRAPHER:** Jim Stone  
**DATE OF PHOTO:** April 5, 2012

**ROLL NUMBER:** \_\_\_\_\_  
**PHOTO NUMBER:** 7

**Hayloft, granary in NE  
corner, floor on top to  
keep hay out of granary**

**CAMERA DIRECTION:** \_\_\_\_\_



**PHOTOGRAPHER:** Jim Stone  
**DATE OF PHOTO:** April 5, 2012

**ROLL NUMBER:** \_\_\_\_\_  
**PHOTO NUMBER:** 8

**Hayloft, 1/2 of a Shawver  
truss, looking East**

**CAMERA DIRECTION:** \_\_\_\_\_

**SOUTH DAKOTA STATE HISTORIC PRESERVATION OFFICE  
HISTORIC SITES SURVEY STRUCTURE FORM**



PHOTOGRAPHER: Jim Stone  
DATE OF PHOTO: April 5, 2012

ROLL NUMBER: \_\_\_\_\_  
PHOTO NUMBER: 9  
CAMERA DIRECTION: Hayloft, 1/2 of a Shawver truss, looking East



PHOTOGRAPHER: Jim Stone  
DATE OF PHOTO: April 5, 2012

ROLL NUMBER: \_\_\_\_\_  
PHOTO NUMBER: 10  
CAMERA DIRECTION: Hayloft, bottom of 1/2 Shawver truss and brace



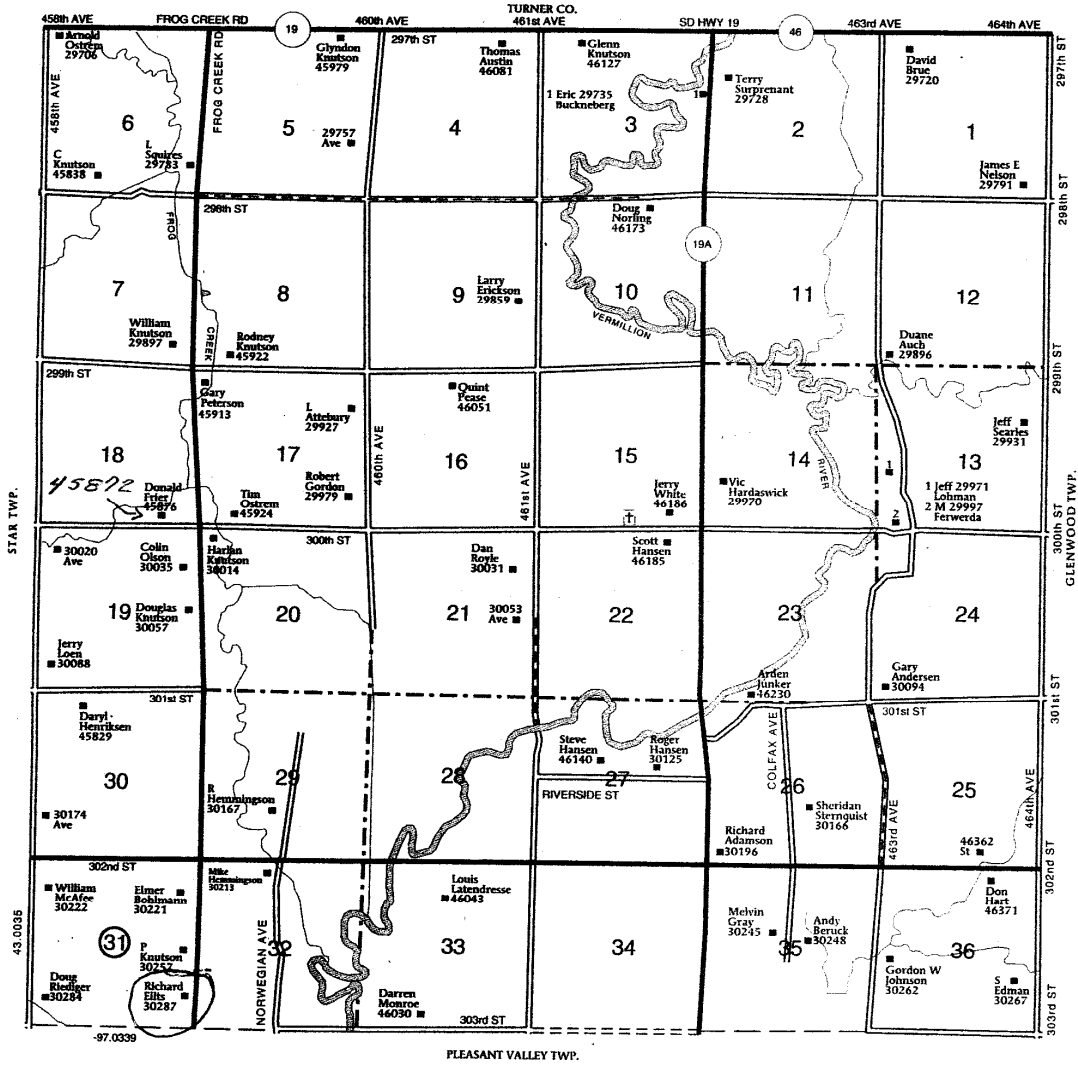
**SOUTH DAKOTA STATE HISTORIC PRESERVATION OFFICE  
HISTORIC SITES SURVEY STRUCTURE FORM**



T-95-N

**RIVERSIDE DIRECTORY**

R-52-W



## **HISTORY**

This farm located in the SE ¼ of the SE 1/4, in Section 31, Riverside Township, Clay County and homesteaded by Cornelius Nelson.

The 1894 and 1901 Clay county Atlas lists A. Hallam as the owner.

The 1912 and 1924 Clay County Atlas lists Ben Folvik as the owner. The farm was called “ Southwest Riverside Farm”.

The 1937 and 1948 Clay County Atlas lists Alma Folvik as the owner. In 1937 A. S. Folvik was listed as the operator (renter).

The 1956 Clay County Atlas lists C. E. Friedland as the owner.

**The following is from**

Richard and Vikke Eilts The present owners.

This farm was owned by a Friedland and is known as the Friedland place.

Mr. Friedland was a school teacher. Palmer Knutson had him as a teacher when he attended grade school.